

KWTUS 7054 F

Built-under wine conditioning unit

with FlexiFrame, ActiveHumidity and NoteBoard in a compact design.



- Storage of all bottle sizes/shapes thanks to FlexiFrame
- Perfect regulation of humidity with ActiveHumidity
- Writing on the wooden shelves on the NoteBoard
- UV-resistant insulated glass
- Presented in perfect light – LED lighting

EAN: 4002516848752 / Material number: 12690500 /
Old Material Number: 39705410AUS

Appliance category	
Wine conditioning unit	•
Construction type	
Built-in appliance	•
Integrated appliance	•
Underbench appliance	•
Door hinge	right
Convertible door hinging	•
Side-by-side enabled	•
Design	
Casing colour	black
Front colour	Obsidian Black glass
Wine compartment lighting	continuously dimmable LED
User convenience	
Networking with Miele@home	•
Door opening aid	FrontOpen
Active AirClean filter	•
DynaCool	•
ActiveHumidity	•
Total number of shelves	4
Number of shelves	4
Shelf material	Beechwood
Number of FlexiFrame racks	3
Number of shelves for crosswise storage	1
SelfClose FlexiFrame	•
NoteBoard	Yes
Low-vibration storage	•
Controls	
Operating concept	FreshTouch
Independent temperature regulation of fridge and freezer zones	No
No. of temperature zones	1
Min. temperature setting range in °C	5
Max. temperature setting range in °C	20
Sabbath mode	•
Fridge/Fridge section	
Dry back wall	grey
Safety	
Lock function	•
Acoustic door alarm	•
Acoustic temperature alarm	•
Optical door alarm	•
Optical temperature alarm	•
Technical data	
Niche width in mm min.	600
Niche width in mm max.	604
Niche height in mm min.	820

KWTUS 7054 F

Built-under wine conditioning unit
with FlexiFrame, ActiveHumidity and NoteBoard in a compact design.

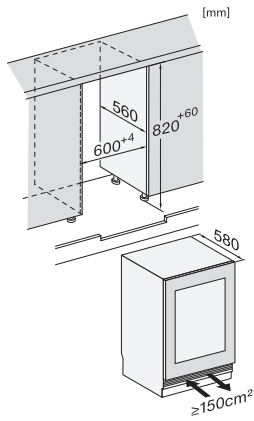


EAN: 4002516848752 / Material number: 12690500 /
Old Material Number: 39705410AUS

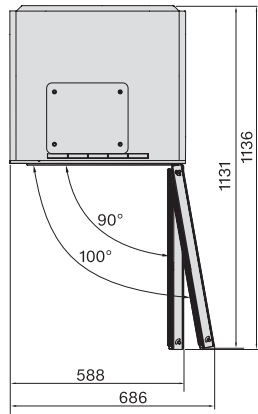
Niche height in mm max.	880
Niche depth in mm	580
Appliance width in mm	597
Appliance height in mm	819
Appliance depth in mm	579
Weight in kg	44.0
Door hinge technology	Fixed door
Climate range	SN-ST
Total usable capacity in l	110
0.75 l Bordeaux bottle capacity (no. of bottles)	44 bottles
Current consumption (mA)	1500
Voltage in V	220-240
Fuse rating in A	10
Number of phases	1
Frequency in Hz	50-60
Length of supply lead in m	2.2
Accessories supplied	
White chalk pen	•

KWTUS 7054 F

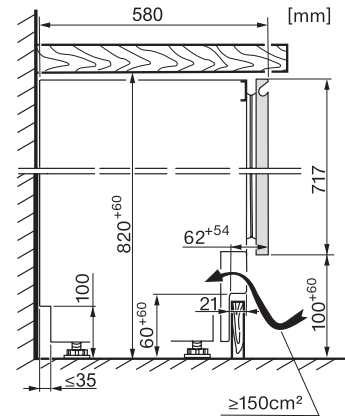
Built-under wine conditioning unit with FlexiFrame, ActiveHumidity and NoteBoard in a compact design.



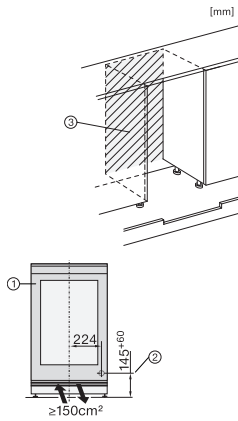
KWTUS7054F, KWTUS7055F, KWTUS7074F, KWTUS7096E, Built-under, installation diagram, niche dimensions



KWTUS7054F, KWTUS7055F, KWTUS7074F, Built-under, top view

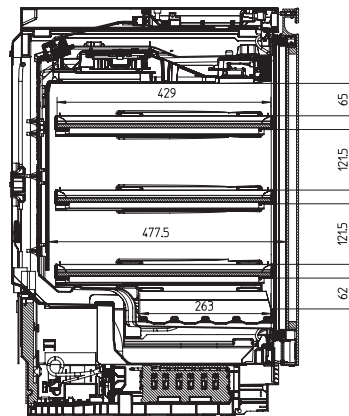


KWTUS7054F, KWTUS7055F, KWTUS7074F, Built-under, side view



KWTUS7054F, KWTUS7055F, KWTUS7074F, KWTUS7096E, KWTUS7196E, Built-under, side view

1. View from the front, 2. Mains connection cable, L = 2200 mm, 3. No connection in this area



KWTUS7054F, interior dimensions