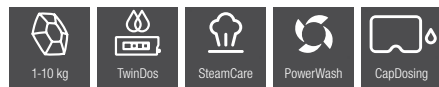


WQ 1200 WPS Nova Edition
10 kg & InfinityCare & M Touch Pro & SmartMatic
W2 front loader washing machine.



- Tested for 20 years of perfect laundry care*
- Wash more gently than ever before with the InfinityCare honeycomb drum
- Save up to 40% detergent with TwinDos® thanks to automatic dispensing**
- Our SmartMatic® automatic programme adjusts consumption automatically
- The large colour M Touch Pro display makes operation highly convenient

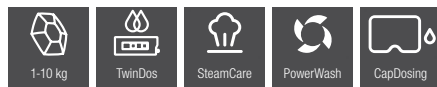
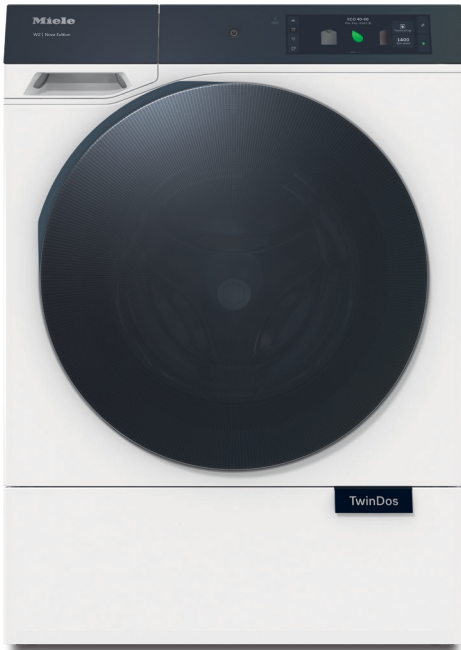
* During the development phase of the W1 washing machine series, Miele tested models and core components in 5000 wash loads (= 5 wash loads per week for 50 weeks per year) in various programmes. More: miele.com/20years

** Compared to manual dispensing and based on internal test results.

EAN: 4002516865711 / Material number: 12695710

Available display languages	
Available display languages via MultiLingual	Bahasa Malaysia, Dansk, Deutsch, Eesti, English, English (AU), English (CA), English (GB), English (US), Español, Français, Français (CA), Français (FR), Hrvatski, Italiano, Latviešu, Lietuvių, Magyar, Nederlands, Norsk, Polski, Português, Русский, Slovenščina, Srpski, Suomi, Svenska, Türkçe, Українська, Čeština, Σλληνικά.
Construction type	
Appliance colour	Lotus white
Suitable for stacking	•
Door hinging	Right
Built-in	•
Side-by-side	•
Spinning	
Max. spin speed	1400
Rinse hold	•
Without spin function	•
Design	
Door and panel design	BlackEffect
Control panel version	Slanted
Control type	Touch control
Display	M Touch Pro
AmbientLight	•
MotionReact	•
Cleaning performance	
Innovative PowerWash technology	•
TwinDos automatic detergent dispensing	•
TwinDos automatic cartridge detection	•
CapDosing portioned dispensing	•
Stains option	•
AddProgrammes	•
Excellent hygiene	•
Gentle laundry care	
InfinityCare honeycomb drum	•
Load in kg	10
Convenience features	
Networking with Miele@home	•
Delay start up to 24 hours	•
Time left display	•
Time of day display	•
Programme sequence indicator	•
Information text	•
Favourite programme	•

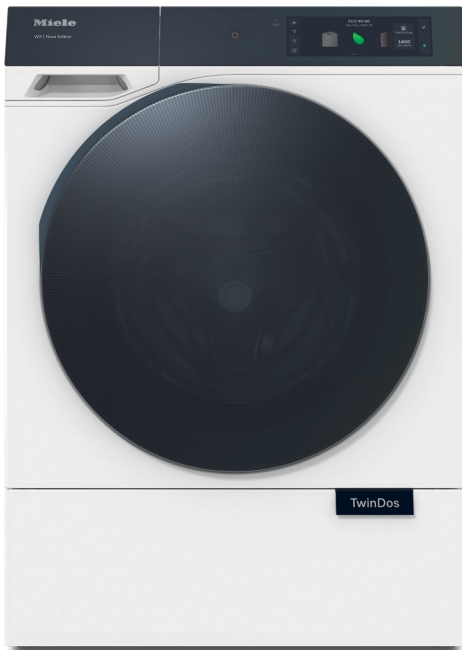
WQ 1200 WPS Nova Edition
10 kg & InfinityCare & M Touch Pro & SmartMatic
W2 front loader washing machine.



EAN: 4002516865711 / Material number: 12695710

Drum lighting	LED
MultiLingua	*
AutoClean detergent drawer	*
AddLoad	*
ComfortOpen	*
Efficiency and sustainability	
FlexLoad Auto load control	*
Hot water connection	*
EcoFeedback	*
Low temperature wash "Cold" and "20 °C"	*
Energy/WELS Star Rating	4.5 / 4.5
WELS Details	84 L / wash ECO 40-60
Registration Details Energy/WELS	ACW1535 / C02428
ProfiEco motor	*
Wash programmes	
QuickPowerWash	*
Cottons (coloureds)	*
Minimum iron	*
Delicates	*
Silks (hand-washable)	*
Woollens (hand-washable)	*
Express 20	*
Dark garments / Denim	*
Outerwear	*
Proofing	*
Sportswear	*
Trainers	*
Clean machine	*
Separate rinse	*
ECO 40-60	*
Shirts / Blouses	*
PowerFresh	*
Down-filled items / Duvets	*
Curtains	*
First wash	*
SmartMatic®	*
Pre-ironing only	*
Clean drum	*
Washing extras	
SingleWash	*
Short	*
Soak	*
Pre-wash	*
Water plus	*
Additional rinse cycle	*
Extra quiet	*
Pre-ironing with steam	*
Buzzer	*
Hygiene plus	*
Save energy	*

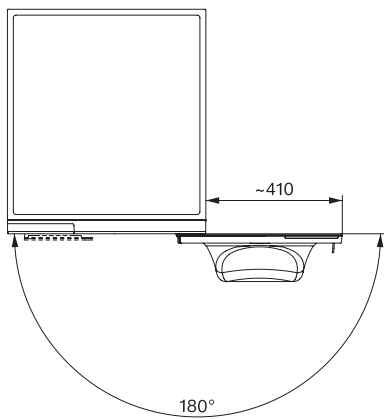
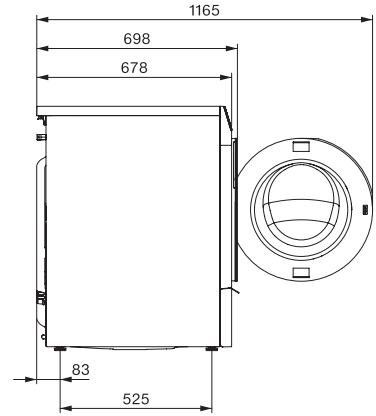
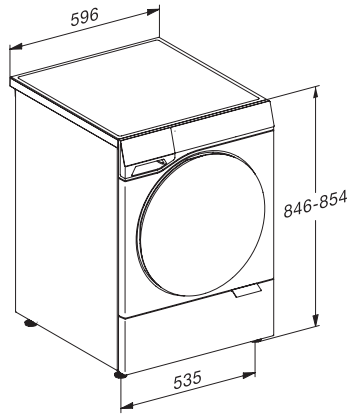
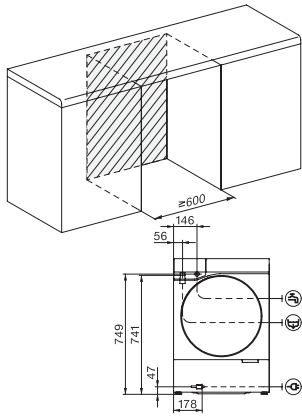
WQ 1200 WPS Nova Edition
 10 kg & InfinityCare & M Touch Pro & SmartMatic
 W2 front loader washing machine.



EAN: 4002516865711 / Material number: 12695710

Safety	
Water protection system	Waterproof-System
Safety lock	•
PIN code	•
Technical data	
Dimensions (H x W x D) in mm	850 x 596 x 698
Dimensions in mm (width)	596
Dimensions in mm (height)	850
Dimensions in mm (depth)	698
Appliance depth in mm with opened door	1165
Appliance depth w/o door in mm	678
Weight in kg	97
Voltage in V	230
Fuse rating in A	10
Frequency in Hz	50
Total rated load in kW	2.30
Length of water inlet hose in m	1.60
Length of water drain hose in m	1.50
Accessories supplied	
3 caps	•
UltraPhase 1 + 2	•
Voucher for 5 Miele UltraPhase cartridges	•

WQ 1200 WPS Nova Edition Installation diagrams



W2 drawing, fascia 17 degree, Bigfoot, Ref2,
measures in mm