

## iQ700, Built-In Fully Automatic Coffee Machine, Black CT918L1B0



- ✓ TFT-Touchdisplay Pro – Large colour touch display for comfortable operation.
- ✓ Fully automatic steam cleaning and optimal hygiene thanks to autoMilk Clean.
- ✓ Grind the perfect aroma out of every bean and long-life guarantee with ceramDrive.
- ✓ The perfect aroma profile for every individual taste – aromaSelect.
- ✓ Easily prepare every coffee and milk beverage at the touch of a button with the oneTouch function.

Built-in / Free-standing: .....	Built-in
Net weight: .....	19.0 kg
Gross weight: .....	22.3 kg
Dimensions (HxWxD): .....	455x594x385 mm
Dimensions of the packed product: .....	540x560x670 mm
Required niche size for installation (HxWxD): .....	449x558x376 mm
EAN code: .....	4242003895597
Fuse protection: .....	10 A
Voltage: .....	220-240 V
Frequency: .....	50/60 Hz
Length electrical supply cord: .....	170 cm

TZ70003 1 Brita Filter for Coffee Machine



## iQ700, Built-In Fully Automatic Coffee Machine, Black CT918L1B0

### Flavour

- Up to 29 different coffee specialties (within appliance and Home Connect app)
- Warm milk, milk froth and hot water function
- aromaSelect – 3 different aroma profiles (mild-balanced-distinctive)
- Adjustable milk ratio for classic milk-mix beverages
- Intelligent strength adjustment – adaptive coffee management based on strength and size
- aromaDouble Shot – less bitterness in large beverages due to two brewing processes

### Convenience

- TFT-Touchdisplay Pro - 6.8" colour display with touch and slide functionality
- Favorites: save up to 30 personalised beverages
- Automatic milk amount detection - suitable for included container, 1 litre milk carton or your individual container
- Coffee pot function
- Height adjustable beverage outlet (up to 15 cm (max) high glasses)
- oneTouch DoubleCup – get two cups at the touch of a button
- 2.4 l removable water tank

### Performance

- silentCeram Drive – high quality grinder made of wear-resistant ceramic
- Water pump with 19 bar pressure

### Hygiene

- autoMilk Clean – automatic steam cleaning after every drink
- calc'nClean – combined descaling and cleaning program for less effort
- Removable brewing unit – for easy and hygienic cleaning
- Dishwasher-proof: beverage outlet, drip tray and drip pans
- Automatic reminder for cleaning, descaling or water filter change

### Home Connect

- Remote control – operate your appliance from everywhere
- coffeePlaylist – select several drinks in the app, prepared in your chosen order
- Software updates – always the newest software status
- Security: Security is of top priority at Home Connect. The Home Connect app has been tested and certified by TÜV IT. And the encrypted data transfer via Home Connect protocol protects against unauthorised access.

### Extras

- Integrated 0.7L milk container
- 400 g bean container with aroma protection lid
- Illuminated coffee outlet, stage and interior
- Adjustable grinding degree (multi-level)
- Child lock

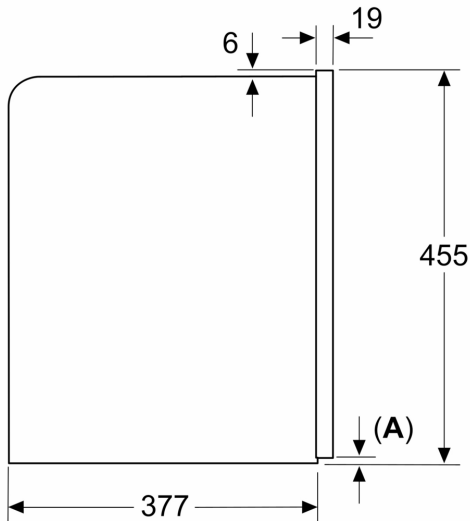
### Accessories

- Included accessories: 1 x assembly screws, 1 x connection hose for

milk frother, 1 x milk container, 1 x milk pipe, 1 x test strip, 1 x welcome-Box

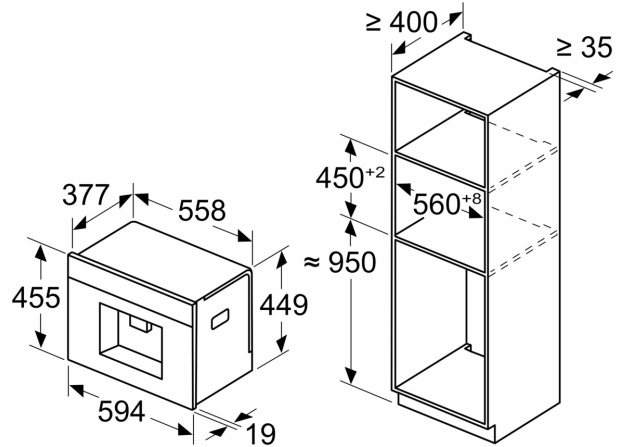
**iQ700, Built-In Fully Automatic  
Coffee Machine, Black  
CT918L1B0**

Measurements in mm



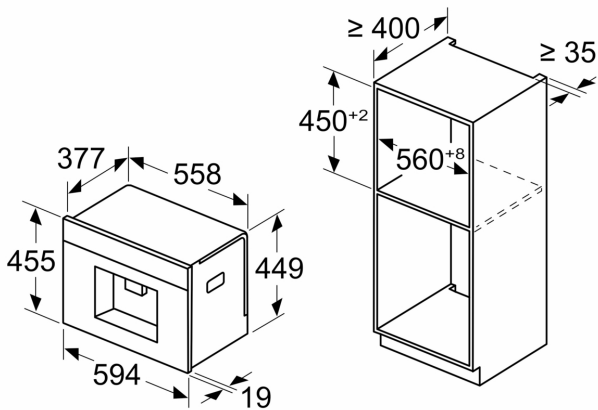
**A: 7.5 mm**

Measurements in mm



Bean and water containers are removed from the front  
Recommended installation height  
950–1450 mm

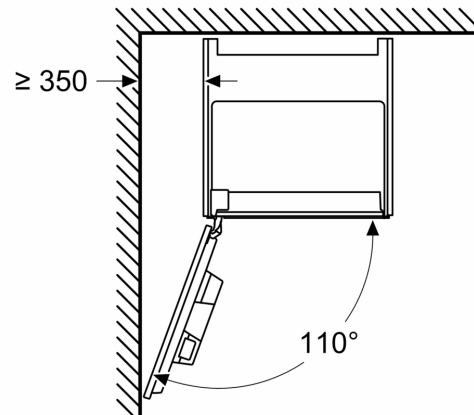
Measurements in mm



Bean and water containers are removed from the front  
Recommended installation height  
950–1450 mm

Measurements in mm

**Left corner installation**



If using the 92° hinge limiter, the min. distance to the wall is only 100 mm

Measurements in mm

