

iQ700, Built-in oven, 60 x 60 cm, Black HB976GMB1A



The intelligent oven with Oven Assistant with Voice Control, activeClean for effortless oven cleaning and roastingSensor Plus for excellent results.

- ✓ activeClean® – The automatic, self-cleaning oven system for less efforts in oven cleaning.
- ✓ roastingSensor Plus – Perfect roasting results.
- ✓ fastPreheat – Heat the oven quickly. coolStart – Eliminate preheating for frozen foods.
- ✓ 4D hotAir – Even heat distribution for excellent results on up to four levels at once.
- ✓ Cooking Assistant – Intuitively set the right programme.

Color / Material Front:	Black
Built-in / Free-standing:	Built-in
Door opening:	Drop down
Cleaning :	Pyrolytic+Hydrolytic
Control Panel Material:	Glass
Door Material:	Glass
Dimensions (HxWxD):	595x594x548 mm
Dimensions of the packed product:	670x670x680 mm
Required niche size for installation (HxWxD): ..	585-595 x 560-568 x 550 mm
Cavity dimensions:	357 x 480 x 415 mm
Usable volume of cavity:	71 l
Net weight:	39.3 kg
Gross weight:	41.8 kg
EAN code:	4242003902103
Power supply:	3600 W
Fuse protection:	16 A
Voltage:	220-240 V
Frequency:	50; 60 Hz
Length electrical supply cord:	120 cm



HZ638070 Full ext rails, level independent, pyro, HZ664000 Baking and roasting grid (steam), HZ66X650 Cover Strip, HZ6BMA00 Assembly kit for vertical installation, HZ915003 Glass roasting dish, 5,4 L, HZ327000 Baking stone, HZ32WA00 ta, HZ531010 Baking tray, non-stick ceramic coated, HZ532010 Universal pan, non-stick ceramic coated, HZ617000 Pizza pan, enamelled, HZ629070 Air Fry & Grill tray, HZ631070 Baking tray, enamelled, HZ632070 Multipurpose pan, enamelled, HZ633001 Lid for professional pan, enamelled, HZ633070 Professional pan with grid, enamelled, HZ633073 Professional pan, enamelled, HZ634000 Baking and roasting grid (standard), HZ635000 AirFry & Grill Set

iQ700, Built-in oven, 60 x 60 cm, Black HB976GMB1A

Heating Functions

- Oven with 14 cooking functions: 4D hotAir, Top/ bottom heating, Hot air grilling, Full width grill, Half width grill, Pizza setting, coolStart (deep-frozen food special), Bottom heating, Low temperature cooking, Plate warming setting, Keep Warm, hotAir gentle, Conventional heat gentle, Air fry
- Temperature range 30 °C - 300 °C

Racks and Rails

- Number of shelf levels: 5
- varioClip rails Plus, pyrolytic proof, full extension, with Stop function

Design

- studioLine Black Steel Design
- studioLine Glass handle
- TFT-Touchdisplay Plus
- Touch control
- Cavity inner surface: enamel
- Cavity volume: 71 net usable litres

Cleaning

- activeClean® – automatic pyrolytic self-cleaning function with automatic safety door lock
- humidClean Plus program - easy cleaning of a lightly soiled cooking cavity

Convenience

- Temperature proposal, Residual heat indicator, Actual temperature display, Meat probe function
- roastingSensor Plus multipoint meat probe
- cookControl Pro
- HomeConnect
- Cooking Assistant
- coolStart - eliminates preheating for frozen foods
- Automatic rapid heat up
- Oven door with SoftOpen and SoftClose door
- Integrated cooling fan
- Halogen lighting
- Electronic clock and timer

Accessories

- 1 x air fry & grill tray, 2 x combination grid, 1 x universal pan

Safety Features

- Automatic door lock during pyrolysis, Child lock, Automatic safety switch-off function, Residual heat indicator, Start button, Door contact switch
- Quadruple glazed door with heat reflective glass
- Low door temperature during pyrolytic cleaning
- Full glass inner door

Technical Information

- Length of mains cable: 120 cm
- Nominal voltage: 220 - 240 V

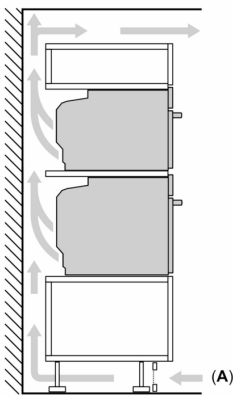
- Total connected load electric: 3.6 KW
- Energy efficiency rating (acc. EU Nr. 65/2014): A+(at a range of energy efficiency classes from A+++ to D)
- Energy consumption per cycle in conventional mode: 0.87 kWh
- Energy consumption per cycle in fan-forced convection mode: 0.69 kWh
- Number of cavities: 1
- Heat source: electrical
- Cavity volume: 71 net usable litres

Dimensions

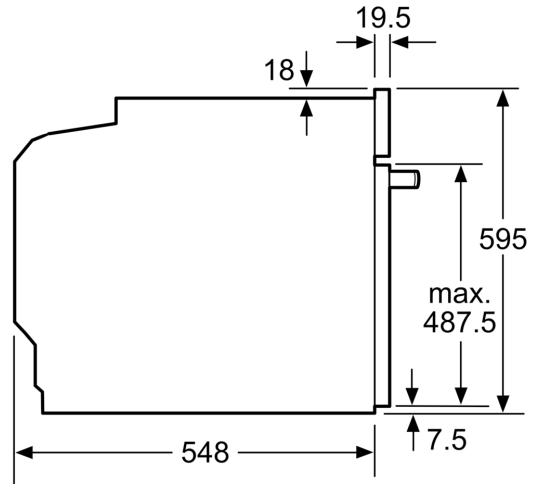
- Appliance dimensions (HxWxD): 595 mm x 594 mm x 548 mm
- Installation dimensions (HxWxD): 585 mm - 595 mm x 560 mm - 568 mm x 550 mm
- Please reference the built-in dimensions provided in the installation drawing

iQ700, Built-in oven, 60 x 60 cm,
 Black
 HB976GMB1A

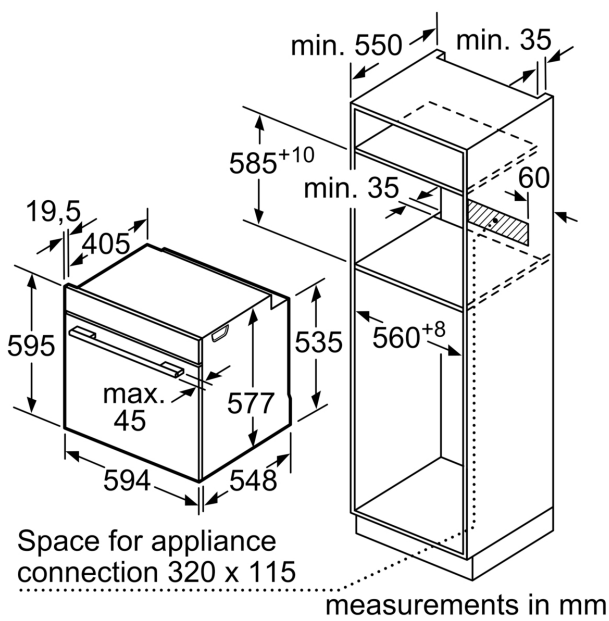
Installing two appliances on top of each other
 Air exchange



A: Air inlet $\geq 200 \text{ cm}^2$



measurements in mm



measurements in mm

If the appliance will be installed underneath a hob, the following worktop thicknesses (including substructure if necessary) must be taken into account.

Hob type	min. worktop thickness	
	fitted	flush
Induction hob	37 mm	38 mm
Full surface Induction hob	47 mm	48 mm
Gas hob	30 mm	38 mm
Electric hob	27 mm	30 mm

