

**Series 4, Built-in oven, 60 x 60 cm,
Black
HBA534BB3A**



HEZ327000 Pizza stone, HEZ32WA00 Wireless food thermometer, HEZ530000 Half tray, HEZ531010 Baking tray, non-stick ceramic coated, HEZ532010 Universal pan, non-stick ceramic coated, HEZ538000 1fold telescopic rail, level independent, HEZ617000 Pizza pan, enamelled, HEZ629070 Air Fry & Grill tray, HEZ631070 Baking tray, enamelled, HEZ632070 Multipurpose pan, enamelled, HEZ633001 Lid for professional pan, enamelled, HEZ633070 Professional pan with grid, enamelled, HEZ633073 Professional pan, enamelled, HEZ634000 Baking and roasting grid, HEZ636000 Glass pan, HEZ638000 Full ext rails, level independent, HEZ660060 Strip, HEZ664000 Baking and roasting grid, steam, HEZ915003 Glass roasting dish, 5,4 L

Perfect results: 3D hotair for perfect baking and roasting results on up to three levels simultaneously.

- **EcoClean Direct:** reduces cleaning effort with a special rear-wall coating that absorbs grime.
- **Cleaning Assistance:** reduces cleaning effort with a simple programme designed for light soiling.
- **3D Hotair:** even heat distribution for perfect results on up to three levels.
- **Pizza setting:** ideal for cooking pizza and dishes that require intensive heat from below.
- **Hotair Gentle:** saves energy while baking and roasting on one level.

Color / Material Front: Black
 Built-in / Free-standing: Built-in
 Door opening: Drop down
 Cleaning : ..EcoClean Direct automatic prompt for cleaning function, Hydrolytic
 Control Panel Material: Glass
 Door Material: Glass
 Dimensions (HxWxD): 595x594x548 mm
 Dimensions of the packed product (HxWxD):675x660x690 mm
 Required niche size for installation (HxWxD):585-595 x 560-568 x 550 mm
 Cavity dimensions:357 x 480 x 415 mm
 Usable volume of cavity: 71 l
 Net weight: 33.3 kg
 Gross weight: 34.8 kg
 EAN code: 4242005464463
 Connection rating: 3400 W
 Fuse protection:16 A
 Voltage: 220-240 V
 Frequency: 50; 60 Hz
 Length electrical supply cord: 120 cm



Series 4, Built-in oven, 60 x 60 cm, Black HBA534BB3A

**Perfect results: 3D hotair for perfect
baking and roasting results on up to three
levels simultaneously.**

- Appliance dimensions (HxWxD): 595 mm x 594 mm x 548 mm
- Installation dimensions (HxWxD): 585 mm - 595 mm x 560 mm - 568 mm x 550 mm
- Please reference the built-in dimensions provided in the installation drawing
- We recommend you to choose complementary products within SER4, in order to assure an optimal design combination of your Built-In appliances.

Heating Functions

- Oven with 7 heating methods:
- Full width grill, Hotair gentle, 3D Hotair, Top/bottom heating, Pizza setting, Bottom heating, Hot air grilling
- Temperature range 50 °C - 275 °C
- Cavity volume: 71 net usable litres

Racks and Rails

- Number of shelf levels: 5
- Telescopic rails available as optional accessory

Design

- Rotary control knobs, Retractable control knobs
- Cavity inner surface: enamel
- Extra large capacity oven

Cleaning

- EcoClean Direct: coating of back panel
- Cleaning Assistance (manually)
- Full glass inner door

Convenience

- LED-display control (red)
- Electronic clock/timer with end time programming
- Automatic start, Actual temperature display
- Bar handle
- Fast heat
- Halogen lighting
- Integrated cooling fan

Accessories

- 2 x combination grid, 1 x universal pan

Safety Features

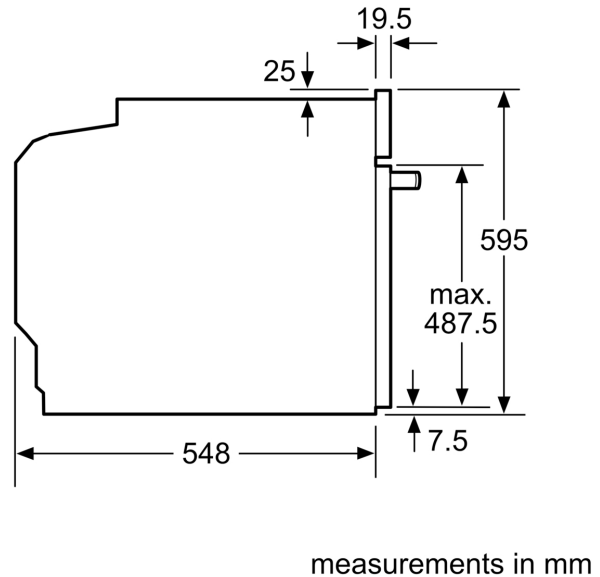
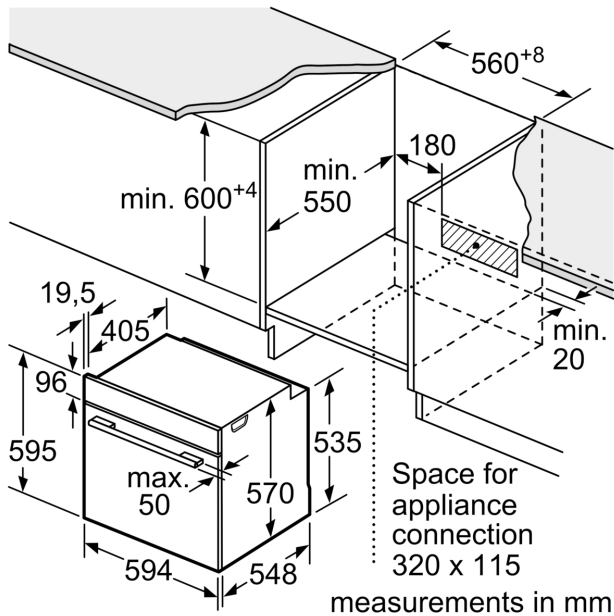
- Maximum door temperature 40° C
- Triple glazed door
- Child lock

Technical Information

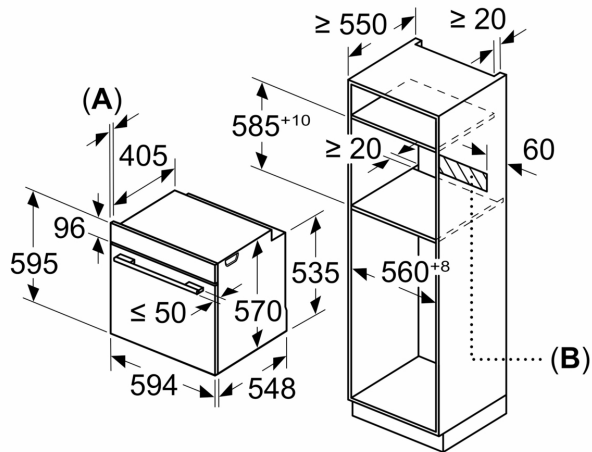
- Length of mains cable: 120 cm
- Nominal voltage: 220 - 240 V
- Total connected load electric: 3.4 KW
- Energy efficiency rating (acc. EU Nr. 65/2014): A+(at a range of energy efficiency classes from A+++ to D)
- Energy consumption per cycle in conventional mode: 0.94 kWh
- Energy consumption per cycle in fan-forced convection mode: 0.69 kWh
- Number of cavities: 1
- Heat source: electrical
- Cavity volume: 71 net usable litres

Dimensions

**Series 4, Built-in oven, 60 x 60 cm,
Black
HBA534BB3A**



Measurements in mm



A: 19.5 mm
B: Space for appliance connection 320 x 115 mm

Installation with a hob.

