

**Series 6, Built-in oven, 60 x 60 cm,
Black
HBA572EB3A**



HEZ327000 Pizza stone, HEZ32WA00 Wireless food thermometer, HEZ531010 Baking tray, non-stick ceramic coated, HEZ532010 Universal pan, non-stick ceramic coated, HEZ538000 1fold telescopic rail, level independent, HEZ617000 Pizza pan, enamelled, HEZ629070 Air Fry & Grill tray, HEZ631070 Baking tray, enamelled, HEZ632070 Multipurpose pan, enamelled, HEZ633001 Lid for professional pan, enamelled, HEZ633070 Professional pan with grid, enamelled, HEZ633073 Professional pan, enamelled, HEZ634000 Baking and roasting grid, HEZ636000 Glass pan, HEZ638000 Full ext rails, level independent, HEZ660060 Strip, HEZ915003 Glass roasting dish, 5,4 L

Healthy cooking: Air Fry Function for perfectly fried foods with hardly any oil and pyrolytic self-cleaning.

- **Air Fry Function with tray:** for perfectly fried foods, such as vegetables and chips.
- **AutoPilot 10:** every dish is a perfect success thanks to 10 pre-set automatic programmes.
- **LED Touch Control:** simple access to heating modes, temperature and extra functions via touch buttons.
- **3D Hotair:** even heat distribution for perfect results on up to three levels.
- **1-level telescopic rail:** for safe, easy use and removal of baking trays.

Color / Material Front:	Black
Built-in / Free-standing:	Built-in
Door opening:	Drop down
Integrated Cleaning system:	Pyrolytic+Hydrolytic
Control Panel Material:	Glass
Door Material:	Glass
Dimensions:	595x594x548 mm
Dimensions of the packed product (HxWxD):	675 x 660 x 690 mm
Required niche size for installation (HxWxD):	585-595 x 560-568 x 550 mm
Cavity dimensions:	357 x 480 x 415 mm
Usable volume of cavity:	71 l
Number of interior lights:	1
Net weight:	31.4 kg
Gross weight:	33.7 kg
EAN code:	4242005464678
Connection rating:	3600 W
Fuse protection:	16 A
Voltage:	220-240 V
Frequency:	50; 60 Hz
Length electrical supply cord:	120.0 cm



Series 6, Built-in oven, 60 x 60 cm, Black HBA572EB3A

Healthy cooking: Air Fry Function for perfectly fried foods with hardly any oil and pyrolytic self-cleaning.

Dimensions:

- Appliance dimension (HxWxD): 595 mm x 594 mm x 548 mm
- Installation dimensions (HxWxD): 585 mm - 595 mm x 560 mm - 568 mm x 550 mm
- Please reference the built-in dimensions provided in the installation drawing
- We recommend you to choose complementary products within SER6, in order to assure an optimal design combination of your Built-In appliances.

Heating Functions

- Oven with 7 Pcheating methods:
- Air Fry
- Full width grill Hotair gentle 3D Hotair Top/Bottom heating Pizza setting Hot-air grilling
- Temperature range 30 °C - 275 °C
- Cavity volume: 71 l

Racks and Rails

- Number of shelf levels: 5
- Telescopic rails: 1 level telescopic shelf, standard extension, safety stop function

Design

- Touch control
- Anthracite enamel cavity with 5 shelf positions
- Extra large capacity oven

Cleaning

- Pyrolytic cleaning function
- Easy Clean cleaning program
- Full glass inner door - safe touch door

Convenience

- LED-touch control (red/white)
- Electronic clock/timer with end time programming
- Automatic Temperature control for each function
- Temperature control indicator AutoPilot Automatic programming
- AutoPilot Automatic programming, 10 Automatic programs automatic programs
- Stainless steel bar handle
- Built in cooking functions: Automatic programs
- Automatic rapid heat function
- Switch for oven illumination, Halogen lighting
- Cooling fan

Accessories

- Air Fry & Grill tray, combination grid, universal pan

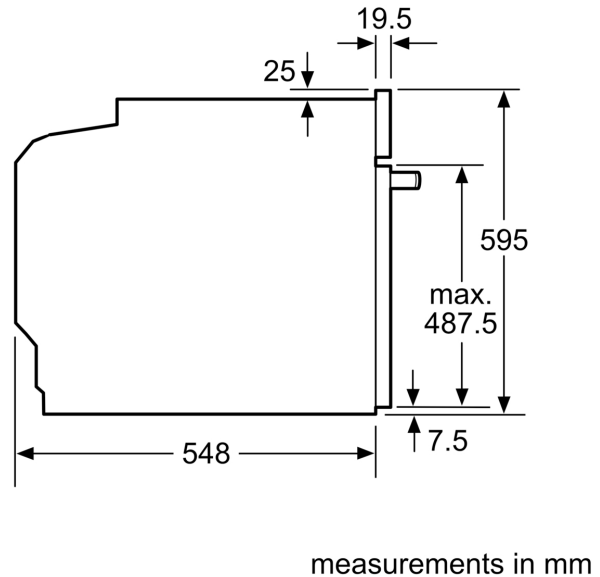
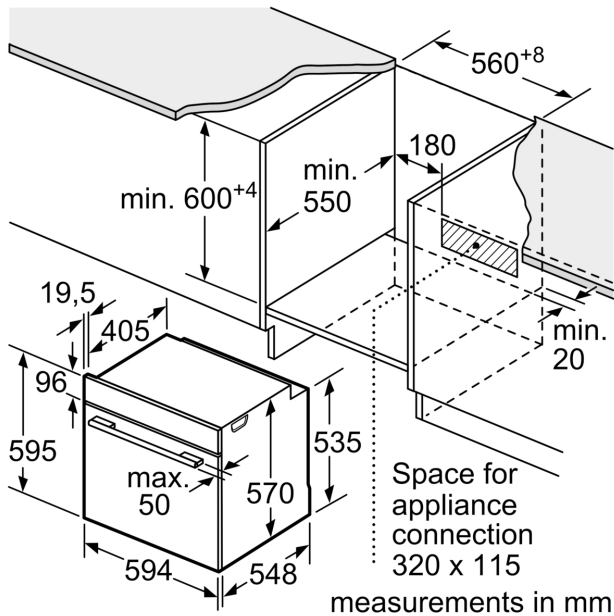
Safety Features

- Telescopic rails: 1 Clip-on rail, safety stop function, - full extension, full adjustment to any shelf level
- Low door temperature during pyrolytic cleaning
- Quadruple glass door panel glazed, Low door temperature when in use.
- Child lock
- Automatic switch off Start button Door lock

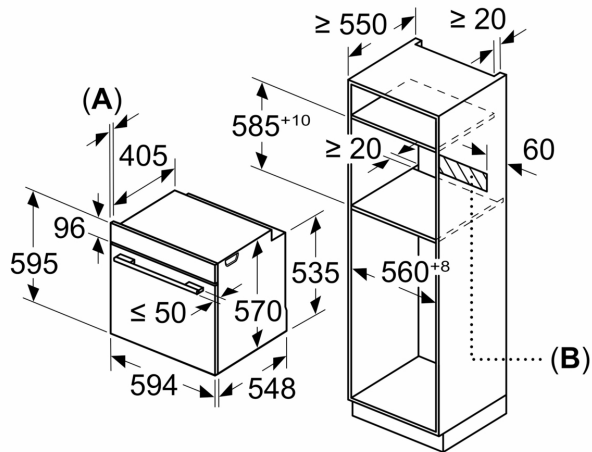
Technical Information

- Length of mains cable: 120 cm
- Nominal voltage: 220 - 240 V
- Total connected load electric: 3.6 KW

**Series 6, Built-in oven, 60 x 60 cm,
Black
HBA572EB3A**



Measurements in mm



A: 19.5 mm
B: Space for appliance connection 320 x 115 mm

Installation with a hob.

